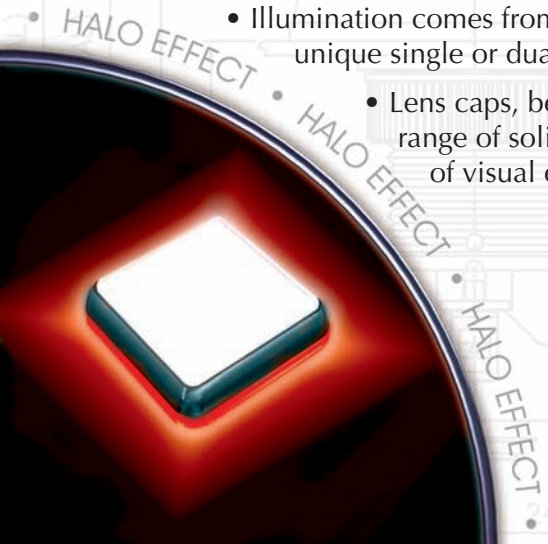


GPB 310

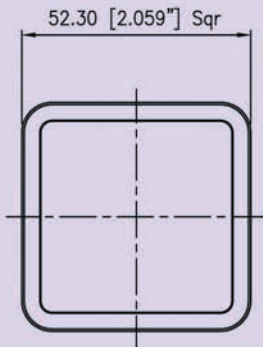
The 300 series marks a significant step in push-button design. Available in a wide variety of solid and translucent materials or as a combination to produce the stunning 'Halo' effect around the base of the button.

- Connection can be made by either spade/crimp terminal or single standard 6 or 7 way IDC or crimp connector
- Illumination comes from a 10mm wedge based lamp or the unique single or dual LED solution.
- Lens caps, bezels and body are available in a wide range of solid and translucent colours for a variety of visual effects.

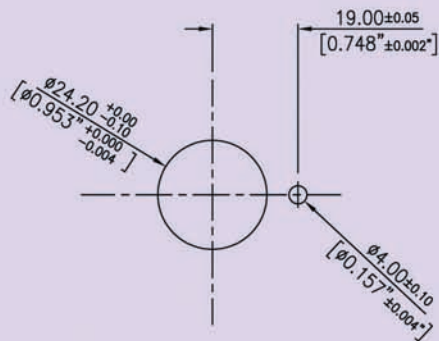


GPB 310 SPECIFICATION

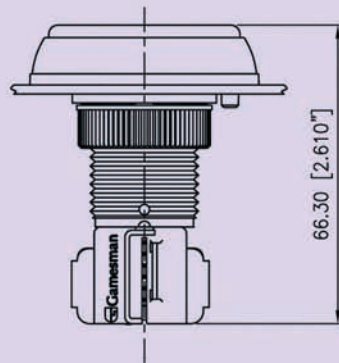
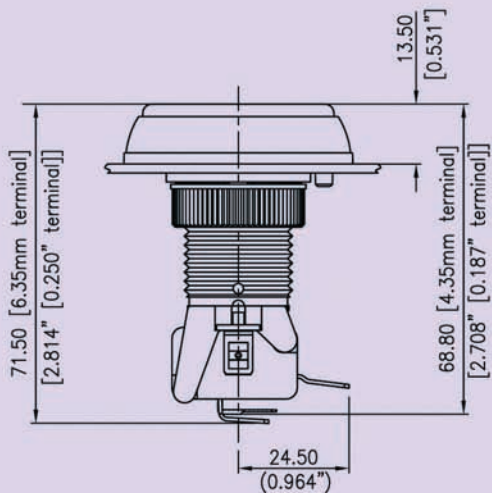
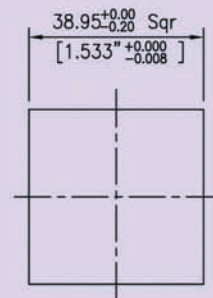
TOP



FIXING HOLE



INSERT



SIDE VIEWS